

# ADR Series

[ DECADE STANDARD RESISTOR (Digital Type) ]



The ADR Digital Type equipped with a CPU is easy to set a desired resistance value either by hand in local mode or by personal computer in remote mode. The ADR Digital Type originally holds data memory such as specific ohmic values corresponding to temperatures in Pt100 resistance thermometer so that data inputting jobs can be eliminated, resulting in time saving for measuring operation. It is constructed with ultra-precision metal foil resistors which are manufactured by Alpha Electronics Corp. and which have been established as the best precision resistive component in the world market for the very low temperature coefficient and the excellent long-term stability of resistance. In order to keep itself from environmental noise, it is properly enclosed double electrical shielding.

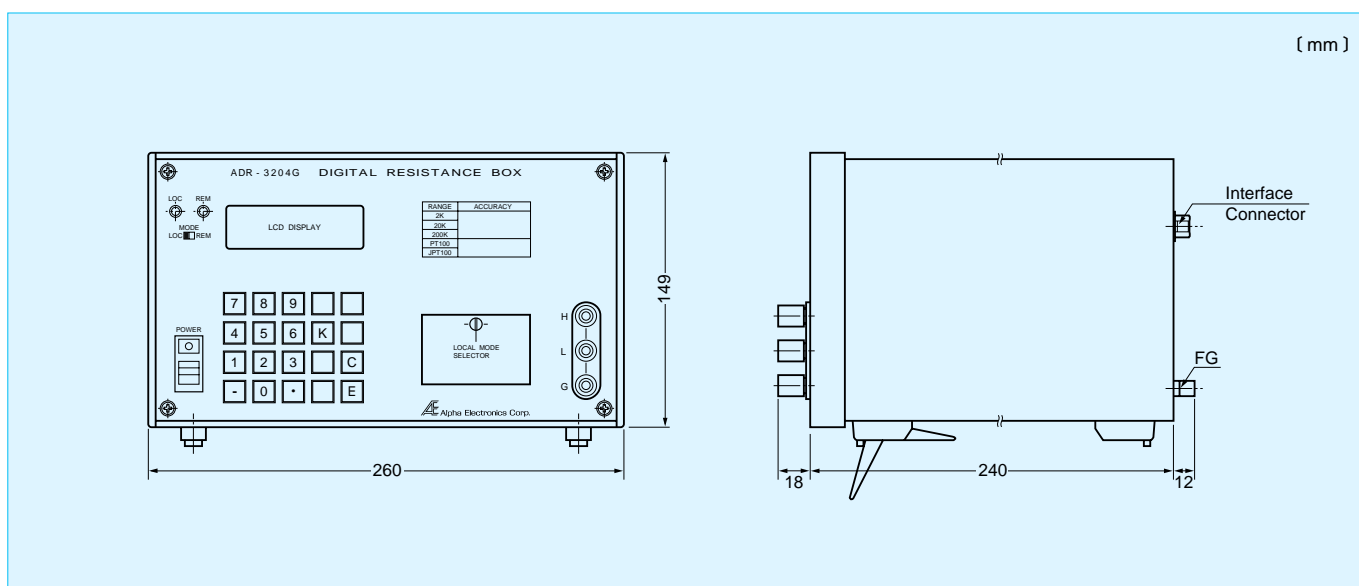
## FEATURES

- Remote mode of operation using GP-IB or RS-232C connection
- Accuracy  $0.005\% + 2m$  in six and half a digit readings
- Temperature coefficient of resistance 5ppm/
- Long-term stability in resistance 50ppm/year
- Low thermal EMF terminal
- Double electrical shielding protection against noise
- Quick response capable of setting desired resistance in as fast as 100ms
- Interface specification open to users

## WEIGHT

5kg (11 lbs)

## CONFIGURATION



## SPECIFICATIONS

Series	Min. resistance value	Max. resistance value	Resolution( )	Accuracy	Max. wattage
ADR-1202*	0.200	1.999999k	0.001	$\pm(0.005\% + 2m)$	0.5W
ADR-3204*	0.200	1.999999k	0.001		
	0.20	19.99999k	0.01		
	0.2	199.9999k	0.1		

\*G = GP-IB  
R = RS-232C(D-SUB 25)  
Example : ADR-1202G

ADR-1202 series works on a single range.  
ADR-3204 series is convertible to work on three different ranges of decade.